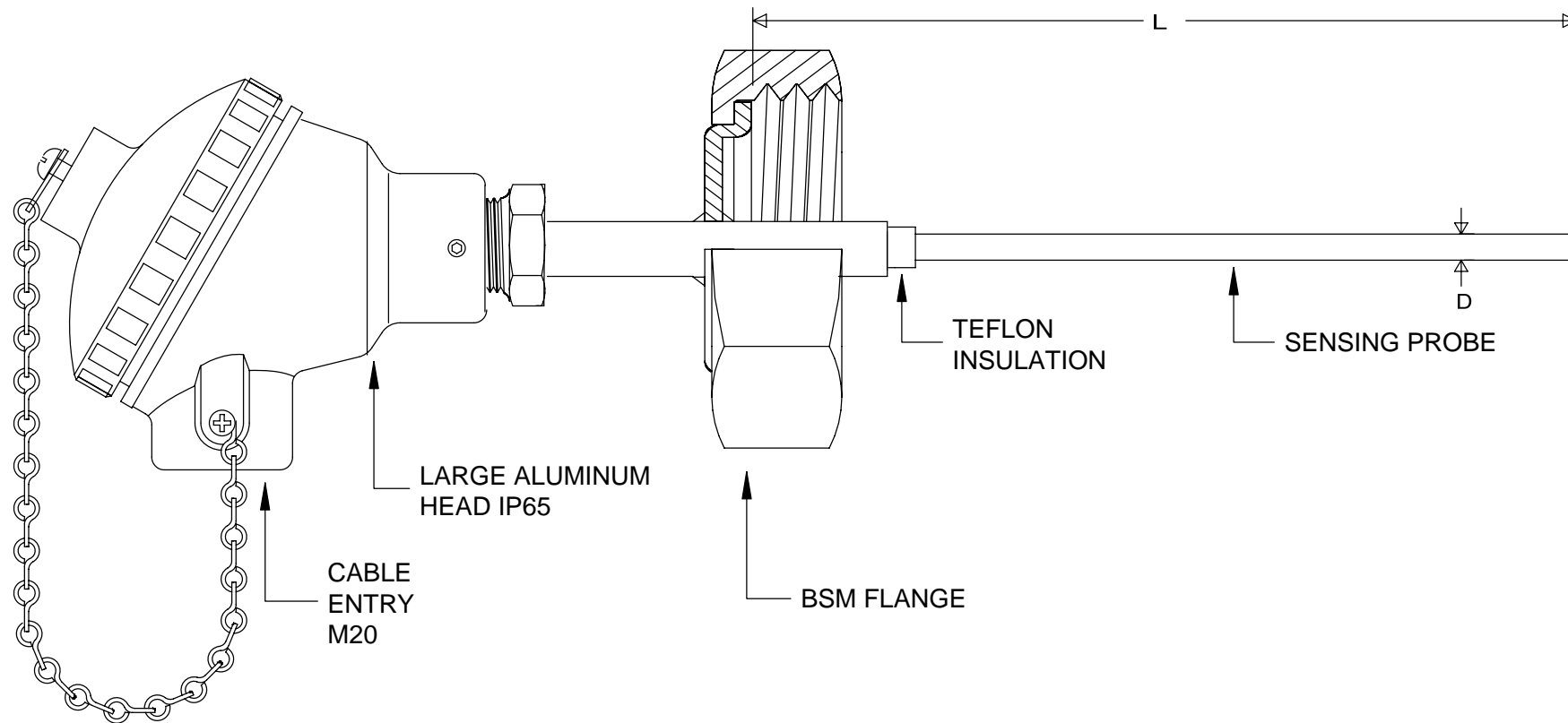


CONDUCTIVITY LEVEL PROBE APPLICATION - METAL TANK - ALARM



PROCESS CAPABILITIES

- MUST BE USED WITH CONDUCTIVITY CONTROLLER
- PROBE DIA 1/8" OR 3/16" OR 1/4" 316 S/S STANDARD
- PROCESS CONNECTION:-1/2" BSP OR NPT STANDARD
 - 3/4" BSP OR NPT
 - 1" BSP OR NPT
- SUITABLE FOR UNPRESSURISED APPLICATIONS ONLY.
- FOR PRESSURE APPLICATIONS CONSULT THE FACTORY

TEMPERATURE CONTROLS PTY LTD Certificate No: QEC 14412
AS/NZS 9001:2000

CONDITIONS

THIS DRAWING IS OUR EXCLUSIVE PROPERTY AND MUST NOT BE COPIED OR HANDED TO ANY OTHER PARTIES WITH OUT WRITTEN PERMISSION. IT SHALL BE RETURNED UPON REQUEST

SYDNEY : 7 YAMMA ST SEFTON , NSW 2162
PHONE : (02) 9721 8644 FAX : (02) 9738 9339
MELBOURNE : 8/280 WHITEHALL ST
YARRAVILLE VIC 3013
PHONE : (03) 9687 0000 FAX : (03) 9687 1900
EMAIL : sales@temperature.com.au



TITLE

SIZE : A4	DATE : 16/08/12	DWG NO : SD 471
SCALE : NTS	DRAWING BY R.B	REV : 00